

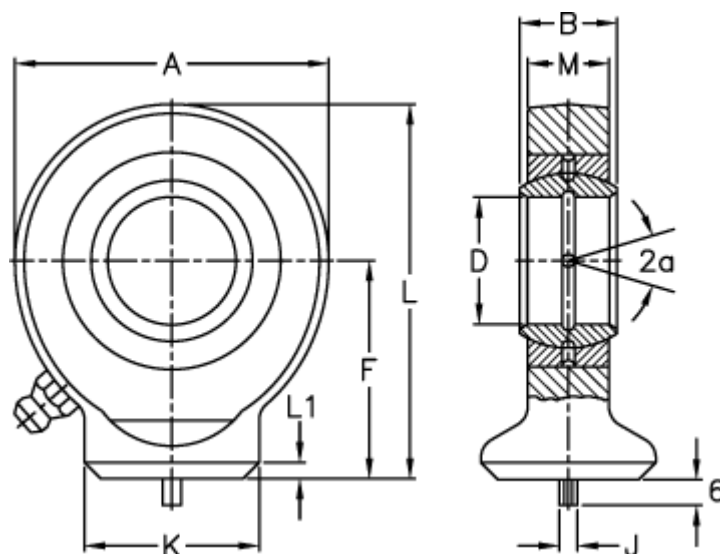
Data Sheet



Article number: 03555017

Description: Fluro hydraulic rod end FS 17C

Measures



A	= 46	L	= 58
a (degrees)	= 10	L1	= 3
B	= 14	M	= 11
D	= 17	Static load C0 (kN)	= 40
Dynamic load C (kN)	= 21.2	Weight	= 180
F	= 35		
J	= 4		
K	= 24		